

FLED-2111 36W LED Illuminator

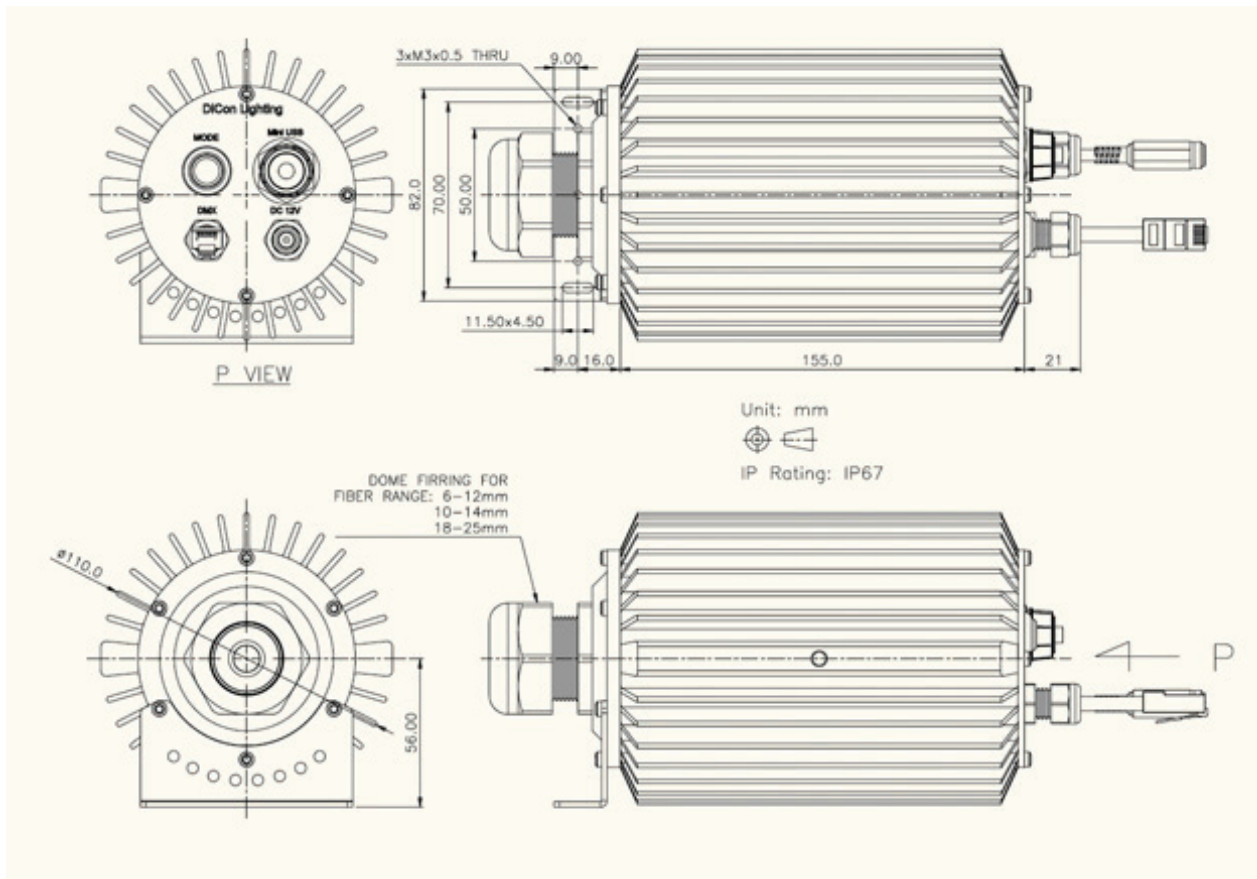
The FLED-2111 LED Illuminator utilizes the very latest LED technology to deliver up to 1200 lumens of light output.

It features a strong black aluminum construction which provides supreme physical protection and thermal management removing the need for any moving parts, such as cooling fans, completely eliminating the need for ongoing maintenance.

It is available in both warm white and cool white, as well as RGB with the possibility to create up to 16.7 million colours.

Technical Specifications

| | |
|---------------------|---|
| Product Description | FLED-2111 36W LED Illuminator |
| Height | 111mm |
| Width | 110mm |
| Length | 155mm |
| Input Voltage | 12VDC |
| Power Consumption | 36W |
| Colours | RGB (16.7 million) / White / Warm white |
| Construction | Black aluminium with PVC plastic base |
| IP Rating | IP 67 |
| Colour Options | DMX512 control via in-built RJ45 |
| Fibre Capacity | 25mm maximum diameter |
| Environment | Ambient operating temperature of -20° to +45° C |
| Weight | 280 g |



IP Rating
IP67

Power
12VDC

Product Code

Illuminator

FLED-2111

Showroom: (By Appointment Only)
Unit 46 / 55 - 59 Norman Street
Peakhurst NSW 2210

www.ledlighting.com.au
Email: sales@ledlighting.com.au

T: (02) 9534 4404
F: (02) 9534 4405